

COLD FOOD HOLDERS

CHILLED SERVERS/CREAM HOLDERS

Models CSM & ECH



CSM 94000 (NOT NSF LISTED)



ECH 94090 (NSF LISTED)



94013
EUTECTIC ICE PACK



94057
HOLDCOLD™ JARS

BID DESCRIPTION

Chilled Servers and Cream Holders are constructed of a stainless steel exterior and one-piece seamless plastic interior. Their compact design takes up only 8" (20.3 cm) of counter space.

The Chilled Server is available in (2) varieties; with a stainless steel jar and (2) round Eutectic Ice Packs or with (1) black and (1) white HoldCold™ jar. HoldCold™ jars will maintain serving temperature up to (12) hours, when used properly.

The countertop Chilled Server (CSM) features a stainless steel pump with a cast valve body and welded construction. Maximum stroke yields 1 ounce (30 mL). Supplied gauging collars reduce the yield in 1/8 ounce (3.7 mL) increments.

The Cream Holder (ECH) accepts a hose directly from an espresso machine into a hole in the lid and comes complete with stainless steel jar and (2) round Eutectic Ice Packs.

STANDARD FEATURES

- Stainless steel exterior and seamless plastic interior
- Includes a Stainless Steel Jar and (2) Eutectic Ice packs or (1) black and (1) white HoldCold™ jar for extended cooling time
- 1 oz (30 mL) maximum portion, now adjustable in 1/8 ounce (3.7 mL) increments — allows for Portion Optimization™
- Cream Holder conveniently works with your espresso machine

ACCESSORY ITEMS

- 3 quart (2.8 L) Stainless Steel Jar 94009
- Eutectic Ice Pack, Round 94013
- Kit, Round HOLDCOLD™ Jars, (1) white & (1) black 94057

TWO YEAR WARRANTY

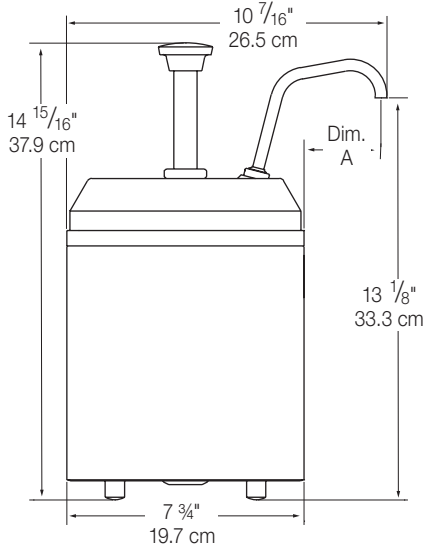
Server Products equipment is backed by a two-year limited warranty against defects in materials and workmanship. For a copy of our complete warranty statement, please refer to server-products.com.



COLD FOOD HOLDERS CHILLED SERVERS/CREAM HOLDERS

Models CSM & ECH

CHILLED SERVERS (CSM) (Not NSF Listed)



MODELS	CSM 94000	ECH 94090	CSM 94113
Capacity	3 qts (2.8 L)	3 qts (2.8 L)	2¾ qts (2.6 L)
Height	14 15/16" 37.9 cm	10½" 26.7 cm	14 15/16" 37.9 cm
Width	7¾" 19.7 cm	7¾" 19.7 cm	7¾" 19.7 cm
Depth	10 7/16" 26.5 cm	7¾" 19.7 cm	10 7/16" 26.5 cm
Dim. A	2½" 6.4 cm	N/A	2½" 6.4 cm
Weight	9 lb 4.1 kg	8 lb 3.6 kg	14 lb 6.4 kg
NSF Listed	No	Yes	No

FOB RICHFIELD, WISCONSIN 53076

CREAM HOLDER (ECH) (NSF Listed)

