

# SMARTER PORTIONS. SO SIMPLE.

## INSEASON™ DISPENSER

Constructed of high temp material which is designed for high-heat areas such as fry or grill stations



Easy refills with wide-open top, holds 10 oz

Quickly identify serving size with (3) color-coded portion triggers



Refill Indicator Line

Compress trigger to apply precise ingredient portion, consistent flavor & nutritional accuracy



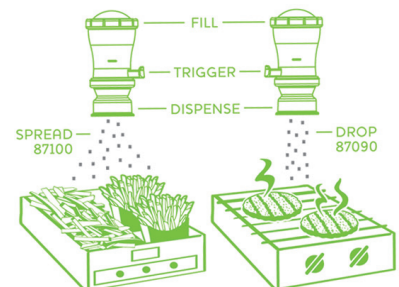
**INSEASON™ DISPENSER**  
Model INS

### Food Applications

- apply sprinkles to a dessert beverage, cupcake or donut
- salting a fry dump
- season a hamburger or deli sandwich

### Fast Facts

The InSeason™ dispenses exact portions of granular seasonings for consistent flavor and accurate nutritional. Handheld, lightweight and designed for use near fry or grill stations. Includes (3) color-coded portion triggers to identify serving size. Holds 10 oz. Available for “spread” or “drop” patterns.



INSEASON™ SALT & SEASONING DISPENSER Model INS



1.800.558.8722 or  
[inseason-server.com](http://inseason-server.com)



# SERVE BETTER WITH CONSISTENT DRY FOOD DISPENSING

## INSEASON™ DISPENSER

Model INS

### Specifier Statement

Unit will be a Server Products Model INS InSeason™ dispenser with a Spread or Drop dispense pattern. Constructed of high-temp Polysulfone and holds 10 oz of granular seasoning by volume. Includes (3) color-coded, Acetal portion triggers. Refill indicator line is visual cue for minimum fill level, with wide open top for refilling. NSF listed. Two-year warranty. Ships FOB Richfield, WI 53076.

### InSeason™ Product Codes

- Spread Pattern, (3) Triggers      INS 87100
- Drop Pattern, (3) Triggers      INS 87090

### Specifications

Part Number	Dispense Pattern	Trigger Portion	Trigger(s) Included
87100	Spread (fry dump or platter)	1/4 tsp/1.2 mL	Black
		1/3 tsp/1.6 mL	Blue
		1/2 tsp/2.5 mL	Green
87090	Drop (patty or single serving)	1/16 tsp/.3 mL	Tan
		1/8 tsp/.6 mL	Burgundy
		1/4 tsp/1.2 mL	Black



Capacity: 10 oz / 296 ML

Weight: 1 lb / .5 kg



### Accessories

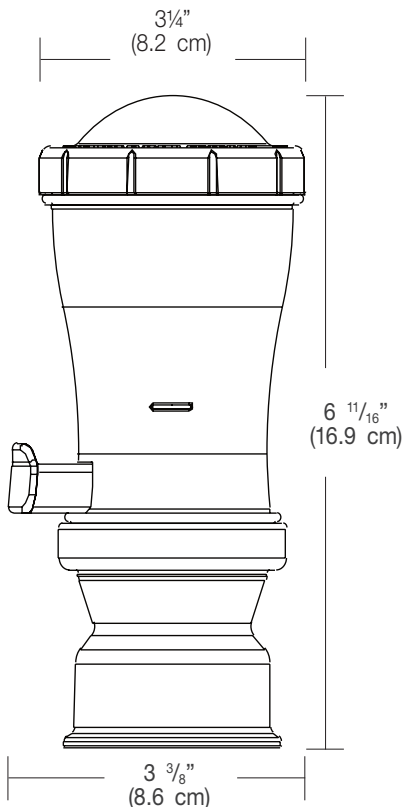
Wall-mounted shelf neatly holds dispensers when not in use. INS dispensers sold separately.

- Triple Wall-Mount Shelf      80085
- Quad Wall-Mount Shelf      87135  
(pictured right with dispensers)



### Related Items

The Beverage Station is ideal for dispensing chilled dairy and granular sweeteners into cups of coffee. Stations come complete with an EZ-Cream™ Dairy Dispenser, a SweetStation™ rack with flavor decals and (3) InSweeten™ dispensers all combined on a durable stainless steel stand. If a larger portion is needed, InSweeten™ dispensers can offer an increased amount, up to 1tsp/4g. For more information on this, please contact Server customer service at 800-558-8722.



Server Products, Inc. | PO Box 98 | Richfield WI 53076  
800.558.8722 | Int'l: 262.628.5600 | F: 262.628.5110  
server-products.com

Registered trademarks of Equal®, Splenda® & Sweet 'N Low® are property of their respective owners. Server Products, Inc. reserves the right to modify specifications without obligation. Printed in USA | © Server Products, Inc 11.2014 | S 02094