



## Equipment Stands

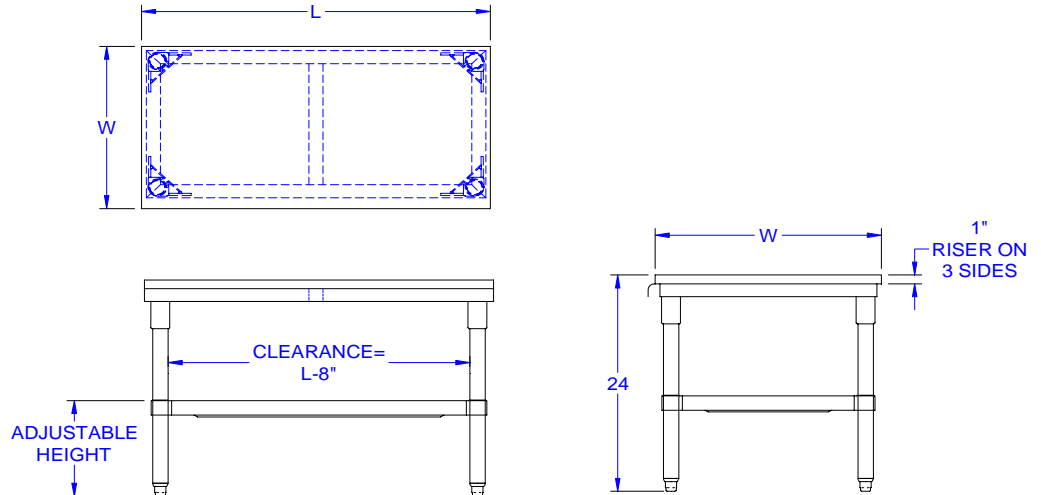
Item #	_____	Qty	_____
Model #	_____		
Project	_____		



### Economy Equipment Stands

MODEL #	Length	Width	Height	Weight
EES8-3015	15"	30"	24"	25
EES8-3018	18"	30"	24"	29
EES8-3024	24"	30"	24"	38
EES8-3036	36"	30"	24"	56
EES8-3048	48"	30"	24"	69
EES8-3060	60"	30"	24"	82
EES8-3072	72"	30"	24"	94

\*\* Weights are subject to additional packaging



### FEATURES:

- 18 gauge stainless steel
- Type 430 stainless steel with # 4 polish, satin finish

### CONSTRUCTION:

Top: Stainless Steel Tops are TIG welded, Exposed welds are polished to match adjacent surface.

### MATERIAL:

- Top: 18 Gauge type 430 stainless steel
- Shelf: Galvanized
- Legs: Galvanized
- Gussets: Galvanized
- Feet: Plastic adjustable

## John Boos & Co

315 South First Street - Effingham, IL 62401  
 Phone: 217-347-7701 - Fax: 217-347-7705  
 Email: sales@johnboos.com - Web-site: www. johnboos.com

John Boos is constantly engaged in a program of improving products and therefore reserves the right to change specification without prior notice

September 2011