



Profit from the Eagle Advantage®

Specification Sheet

Short Form Specifications

Eagle Mixer Stand, model _____ . Top to be 16/304 stainless steel with rolled edges on all sides. 24" O.A. working height. Constructed with uni-lok® patented gusset system, with the gussets recessed into the hat channels to reduce lateral movement.

- *Units with undershelf:* Heavy gauge galvanized or stainless steel adjustable undershelf. 1 1/2" O.D. galvanized or stainless steel tubular legs with adjustable bullet feet.
- *Units with tubular base:* 1 1/2" O.D. galvanized or stainless steel adjustable tubular legs with 1 1/4" O.D. galvanized or stainless steel tubular cross rails, and adjustable bullet feet.

Eagle Utensil Rack, model UR-501, for mixer stands. 1 1/2"-diameter stainless steel rod with five 5/8" stainless steel rods, approximately 5" long, for utensils.



mixer stand shown with optional utensil rack

Options / Accessories

- Drawers
- Casters
- Utensil rack

EAGLE GROUP
 100 Industrial Boulevard, Clayton, DE 19938-8903 USA
 Phone: 302-653-3000 • Fax: 302-653-2065
 www.eaglegrp.com

Foodservice Division: Phone 800-441-8440
MHC/Retail Display Divisions: Phone 800-637-5100

For custom configuration or fabrication needs, contact our **SpecFAB® Division**.
 Phone: 302-653-3000 • Fax: 302-653-3091 • e-mail: specfab@eaglegrp.com

Item No.: _____
 Project No.: _____
 S.I.S. No.: _____

Mixer Stands

MODELS:

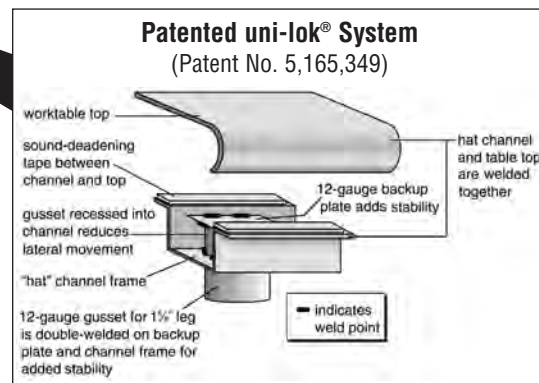
- | | | | |
|----------------------------------|----------------------------------|-----------------------------------|-----------------------------------|
| <input type="checkbox"/> MS2424 | <input type="checkbox"/> MS3030S | <input type="checkbox"/> TMS2424 | <input type="checkbox"/> TMS3030S |
| <input type="checkbox"/> MS2424S | <input type="checkbox"/> MS3036 | <input type="checkbox"/> TMS2424S | <input type="checkbox"/> TMS3036 |
| <input type="checkbox"/> MS3024 | <input type="checkbox"/> MS3036S | <input type="checkbox"/> TMS3024 | <input type="checkbox"/> TMS3036S |
| <input type="checkbox"/> MS3024S | <input type="checkbox"/> MS3636 | <input type="checkbox"/> TMS3024S | <input type="checkbox"/> TMS3636 |
| <input type="checkbox"/> MS3030 | <input type="checkbox"/> MS3636S | <input type="checkbox"/> TMS3030 | <input type="checkbox"/> TMS3636S |

Mixer Stands

- Highly-polished die-formed 16 gauge type 304 stainless steel tabletop, with rolled front edge and ends turned down at 90°.
- Uni-lok® gusset system (patent #5,165,349): gusset is recessed into hat channel underside tabletop, reducing lateral movement.
- Galvanized or stainless steel base available with adjustable undershelf or adjustable tubular frame.
- 1 1/2" (41mm)-diameter galvanized or stainless steel legs with non-marking adjustable bullet feet.
- Tabletop weight capacity: 600 lbs. (272.2 kg).
- Undershelf weight capacity: 150 lbs. (68.0 kg).

Optional Utensil Rack—#UR-501

- Five 5/8" (8mm)-diameter stainless steel utility rods approximately 5" (127mm) in length.
- 1 1/2" (41mm)-diameter stainless steel tubular support.

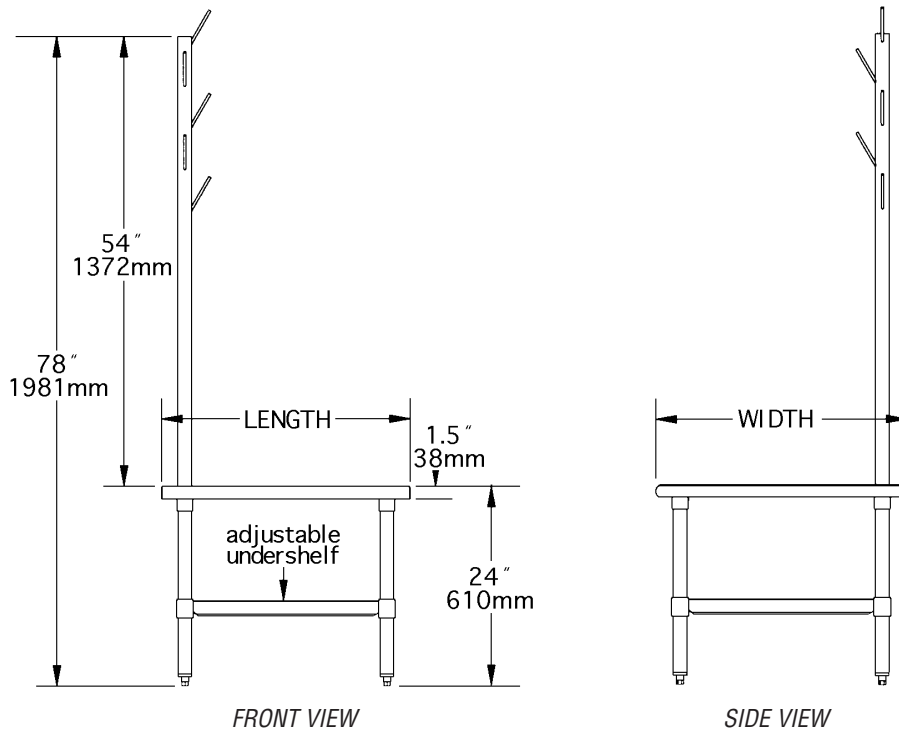


Certifications / Approvals



Item No.: _____
 Project No.: _____
 S.I.S. No.: _____

Mixer Stands



(mixer stand with optional utensil rack)

...WITH UNDERSHELF

galv. legs model #	s/s legs model #	weight		width		length	
		lbs.	kg	in.	mm	in.	mm
MS2424	MS2424S	42	19.1	24"	610	24"	610
MS3024	MS3024S	47	21.3	30"	762	24"	610
MS3030	MS3030S	49	22.2	30"	762	30"	762
MS3036	MS3036S	51	23.1	30"	762	36"	914
MS3636	MS3636S	53	24.0	36"	914	36"	914

...WITH TUBULAR BASE

galv. legs model #	s/s legs model #	weight		width		length	
		lbs.	kg	in.	mm	in.	mm
TMS2424	TMS2424S	42	19.1	24"	610	24"	610
TMS3024	TMS3024S	47	21.3	30"	762	24"	610
TMS3030	TMS3030S	49	22.2	30"	762	30"	762
TMS3036	TMS3036S	51	23.1	30"	762	36"	914
TMS3636	TMS3636S	53	24.0	36"	914	36"	914

EAGLE GROUP
 100 Industrial Boulevard, Clayton, DE 19938-8903 USA
 Phone: 302-653-3000 • Fax: 302-653-2065
 www.eaglegrp.com

Foodservice Division: Phone 800-441-8440
 MHC/Retail Display Divisions: Phone 800-637-5100

Printed in U.S.A.
 ©2010 by Eagle Group
 Rev. 12/10

Spec sheets available for viewing, printing or downloading from our online literature library at www.eaglegrp.com

Although every attempt has been made to ensure the accuracy of the information provided, we cannot be held responsible for typographical or printing errors. Information and specifications are subject to change without notice. Please confirm at time of order.